

# Technical Specification

REF: PC10

ISS: 2

## Key Features

- Robust Truck Lamp
- 12 or 24 Volt options
- LED Long Life Reliability
- Popular 140mm Design
- Low Current Draw

## Technical Specification

**Functions:** Stop | Tail | Indicator | Fog | Reverse

**Homologation:** ECE

**Voltage:** 12V | 24V | Varivolt (9-33V)

**Power Consumption:** Stop (12V) 4.92W, (24V) 2.4W

Tail (12V) 2.92W, (24V) 1.2W

D.I (12V) 4.92W, (24V) 2.92W

Reverse (12V) 2.52W, (24V) 2.88W

Fog (12V) 3.72W, (24V) 3.6W

**Connection:** ½" Spade Terminals

**Fixing:** M6 Bolt

**IP Rating:** IP67 Hermetically Sealed

**Material:** Lens – PMMA | Housing - ABS

**Temperature Range:** -40°C to +50°C

## Part Numbers

CRL800LED24V – Stop/Tail/Indicator, 24V

CRL800LED12V – Stop/Tail/Indicator, 12V

CRL800LEDVV – Stop/Tail/Indicator, 9-33V

CRL800LEDSS24V – Stop/Tail/Indicator, 24V, Integral SuperSeal Connection

## See Also

RF800 Rear Fog, RV800 Reverse, SL800 Stop/Tail

FL800 DI

## 800 Series LED Combination Lamp



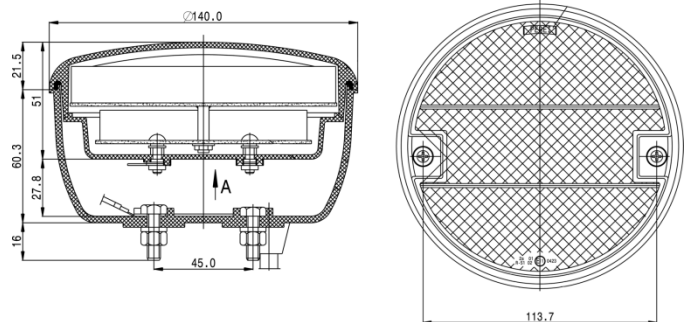
### Overview

With a crystal optic lens system the 800 series is available in; CRL800 Stop/Tail/D.I., RF800 Rear Fog, RV800 Reverse, and SL800 Stop/Tail.

The series can be use in conjunction with CRL888 Modular Housing units.

SuperSeal options are now available for multi-lamp applications.

### Drawing



www.perei.co.uk | sales@perei.co.uk | +44 (0) 1842 812290

Perei Group Limited | 36 Wimbledon Avenue | Brandon | Suffolk | IP27 0NZ | United Kingdom

Specifications herein are subject to change without notice

**PEREI**