

2630 Series

Cable, Wire and Rope Measuring Machine



This robust machine measures the length of wire and other materials from 0.5mm (.0197) up to 15mm (.59in) diameter.

The machine is equipped with two adjustable tension springs, mounted externally, which can be unhooked from their anchor. This allows the measuring head to be pivoted up to a backstop to facilitate threading the cable through the machine. If a shaft encoder is fitted, the output can be directed to any type of counter with an electronic input.

Key Features

- Continuous operation at up to 25 metres/sec (82 ft/sec) or 50 counts per second.
- Self lubricating bearings on both rollers.
- Heavy duty cast aluminium structure.
- Hardened steel inlet and outlet guides.
- Polyurethane covered measuring wheel fitted as standard.
- Can be interfaced to a data processing system.
- Totalising or predetermining counters available or encoder to pulse electronic counters.
- Additional counter or encoder can be fitted to keep a total while the main counter is reset.

Applications

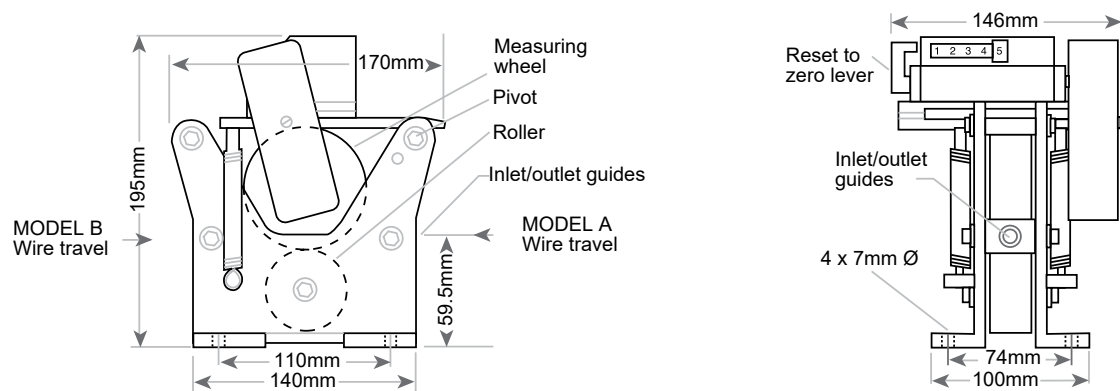
- Batching of wire from production for distribution on reels
- Field use in cable laying operations
- Cable TV installation (co-axial or fibre optic)
- Retail dispensing of short lengths (less than a full reel)

Specification

Cable Diameter Range	0.5mm (.0197in) to 15mm (.59in)
Measuring Wheel Circumference	250mm
Maximum Speed of Travel	1500 metres/min or 3000 counts/min whichever is lower
Units of Measurement Available	Metres and centimetres, yards and eighths, or feet and inches
Counters Type	3602
Packed Dimensions	180mm (7.09in) x 200mm (7.87in) x 270mm (10.63in)
Gross Weight	3.0kg (6.6lb)
Accuracy	+/- 1%

Dimensions

280mm(W) x 260mm(H) x 466mm(D)



Length Measuring Ordering Information

To order a 2630 Cable & Wire Measuring Machine select unit of measurement and material travel.

Unit of measurement (Select and add code to 2630-132?)

- C Metres/Centimetres
- F Feet and Inches

Material travel (Select and add code to 2630-132X?)

- A for material travelling towards the operator
- B for material travelling away from the operator

e.g. 2630-132CA = Cable & wire measurer displaying in metres/centimetres, material travelling towards the operator

Other Versions

North America

2630-DD25 - Direct Drive 25PPR cable and wire measurer with encoder for use with electronic preset counter

2630-DD360 - Direct Drive 360PPR cable and wire measurer with encoder for use with electronic preset counter

RoW

2630-020015 - Non-North America cable and wire measurer with encoder for use with electronic preset counter



Trumeter (Europe)
 Pilot Mill
 Alfred Street
 Bury,
 BL9 9EF
 Tel: +44 161 674 0960
 Email: sales.uk@trumeter.com

Trumeter (The Americas)
 6601 Lyons Rd, Suite H-7,
 Coconut Creek, Florida,
 FL 33073
 USA
 Tel: +1 954 725 6699
 Email: sales.usa@trumeter.com

Innovative Design Technologies Sdn. Bhd
 Lot 5881, Lorong Iks Bukit Minyak 1
 Taman Perindustrian Iks, 14000 Bukit Tengah
 Penang, Malaysia
 Web: www.idtworld.com
 Tel: + 604 5015700
 Email: sales.my@idtworld.com