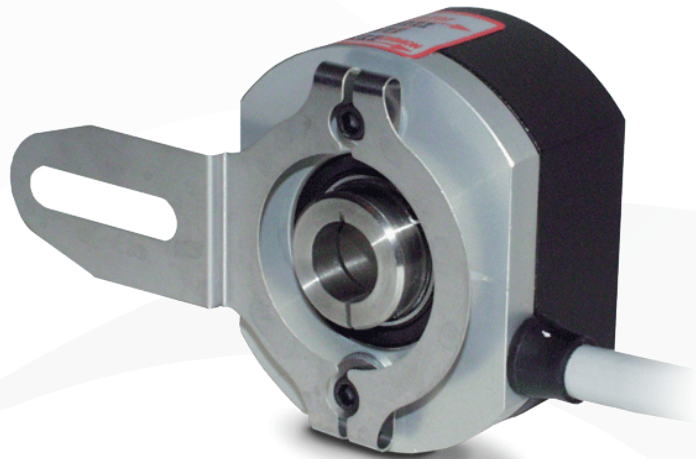


4T260 Encoder

300 KHz Electronic Incremental Encoder



Compact 30mm encoder with Quadrature output, 10mm hollow shaft and a 100°C operating temperature. This encoder is ideal when space is limited.

The series 4T260 low profile 30 mm package design makes it a perfect solution for many machine and motor applications. The unit has a complete 10mm through-shaft design. The series 260 and its integral bearing set provide for stable and consistent operation, without concerns for axial or radial shaft runout. The standard 100°C temperature capability allows servo motors to operate at higher power outputs and duty cycles. The output has a push/pull output as standard, signals A, B output.

Key Features

- Quadrature output
- Anti-rotation flex mount arm
- 10 mm hollow through shaft
- Ideal replacement for mechanical counters when used in conjunction with a suitable electronic counter
- Operates in temperatures up to 100°C
- Operates at output frequency of up to 300 KHz
- CE and RoHS compliant

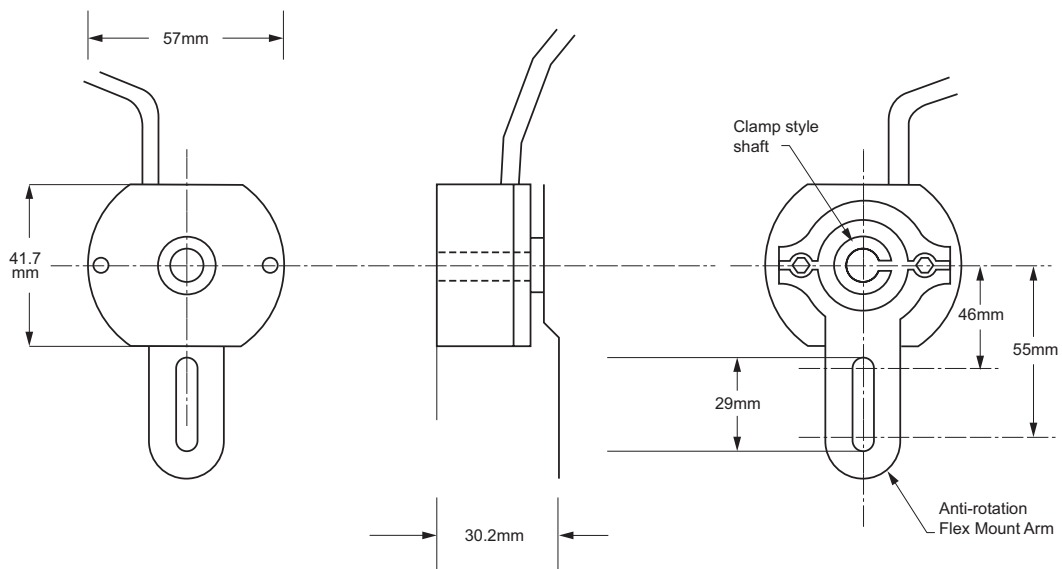
Applications

- Speed Monitoring
- Length Measurement
- Position Indication

Specifications

Input Voltage Range	5 to 24V (+10%).
Regulation, for 5V Operation	5% with 2% maximum ripple.
Current Consumption	80mA typical.
Output Circuits	A, B, @ 20mA each.
Frequency Response	300 KHz std.
Accuracy	0.017° or 1 Arc/Min.
Max Shaft Speed	7,500 rpm continuous.
Shaft Sizes and Types	10mm Hollow shaft (through shaft).
Housing	Aluminium with protective finish.
Operating Temp.	0°C to +100°C [32°F to 212°F]
Humidity	95% RH.
Protection	IP54

Dimensions



Ordering Information

4T260	30mm encoder, Quadrature output, 10mm hollow shaft, 100°C operating temperature
4T26015TPP0250A 250PPR	Push pull output
4T26015TPP0500A 500PPR	Push pull output
4T26015TPP1000A 1000PPR	Push pull output

