



0909

The 0909 is available in various lumen outputs and operating ranges, with a color temperature of 5.700 K. Additionally, it can be obtained as a model approved by E regulations for use in trucks and trailers.



TECHNICAL DATA

- Housing Material:** Cast Aluminium
- Mounting Options:** Hanging
Standing
- Lens Material:** PC
- Temperature range:** -40 to +75 °C
- Connector:** Deutsch (DT04-2P) built in.
Mating part: DT06-2S
- Weight:** 616 g / 1.36 lb
- Light Patterns:** Narrow Symmetric
Medium Symmetric
Wide Symmetric
Medium Asymmetric
Wide Asymmetric

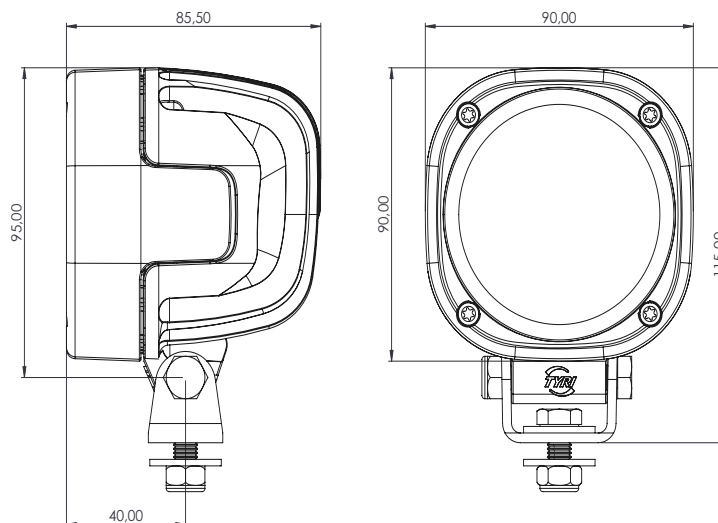
FEATURES

- Overheating Protection
- Over-voltage Protection
- Polarity Protection

TEST STANDARDS

- Salt Spray ASTM B117 500 h
- Vibration 5-2000 Hz 3 Axis, 8 Grms
- Shock Tested 50 G 10 ms
- IP69K
- EN55025 / CISPR 25 Class 5, ISO 11452-2, ISO 11452-4, ISO 16750-2, ISO 10605, ISO 7637-2
- ECE R10 & R23 Optional

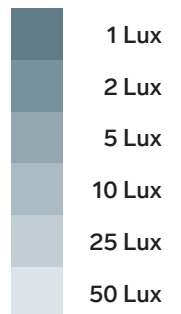
For further information visit www.tyriLights.com or contact your local sales team.





0909

LIGHT OUTPUT	VOLTAGE		AMP DRAW		POWER	COLOR TEMP	LENS PATTERN	PART NO.	EMC	ECE
	Effective Lumen	Machine	Operating	12 V	24 V	Watts			K	EN55025 / CISPR25
700 eLm	12 V	9-16 V	0.9 A	-	13 W	5.700 K	-	-	5	-
700 eLm	24 V	18-32 V	-	0.5 A	14 W	5.700 K	-	-	5	-
1.100 eLm	12 V	9-16 V	1.0 A	-	14 W	5.700 K	-	-	5	-
1.100 eLm	24 V	18-32 V	-	0.5 A	14 W	5.700 K	-	-	5	-
1.400 eLm	12 V	9-16 V	1.3 A	-	18 W	5.700 K	Medium Symmetric	LLU-062-1	5	R10 & R23
							Wide Symmetric	LLU-013-1		
							Wide Asymmetric	LLU-056-1		
1.400 eLm	24 V	18-32 V	-	0.7 A	20 W	5.700 K	Medium Symmetric	LLU-053-1	5	R10 & R23
							Wide Symmetric	LLU-015-1		
							Wide Asymmetric	LLU-054-1		
1.400 eLm	12-48 V	9-60 V	1.2 A	0.6 A	17 W	5.700 K	-	-	2	-
1.400 eLm	12-80 V	9-108 V	1.3 A	0.6 A	17 W	5.700 K	-	-	5	-
1.800 eLm	12 V	9-16 V	1.8 A	- A	25 W	5.700 K	Medium Symmetric	LLU-163-1	5	R10
							Wide Symmetric	LLU-014-1		
							Wide Asymmetric	LLU-057-1		
1.800 eLm	24 V	18-32 V	- A	0.9 A	25 W	5.700 K	Medium Symmetric	LLU-064-1	5	R10
							Wide Symmetric	LLU-016-1		
							Wide Asymmetric	LLU-055-1		
2.000 eLm	12 V	9-16 V	2.1 A	-	29 W	5.700 K	-	-	5	-
2.000 eLm	24 V	18-32 V	-	1.1 A	31 W	5.700 K	-	-	5	-
2.500 eLm	12 V	9-16 V	2.4 A	-	34 W	5.700 K	-	-	5	-
2.500 eLm	24 V	18-32 V	-	1.4 A	39 W	5.700 K	-	-	5	-
2.800 eLm	12 V	9-16 V	2.8 A	-	39 W	5.700 K	-	-	5	-
2.800 eLm	24 V	18-32 V	-	1.4 A	39 W	5.700 K	-	-	5	-

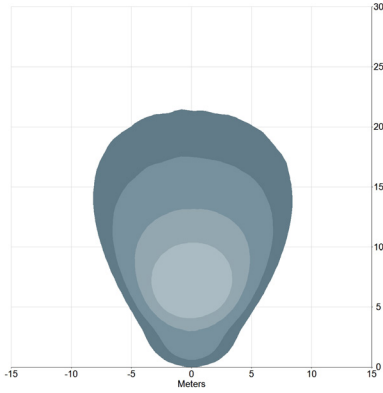




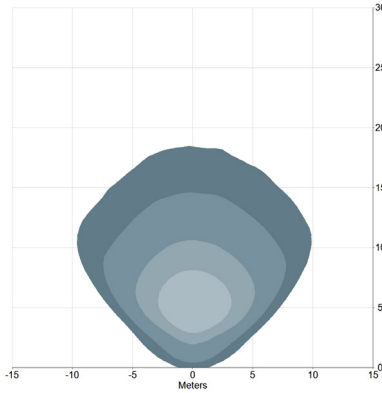
0909

TYPICAL LIGHT PATTERNS

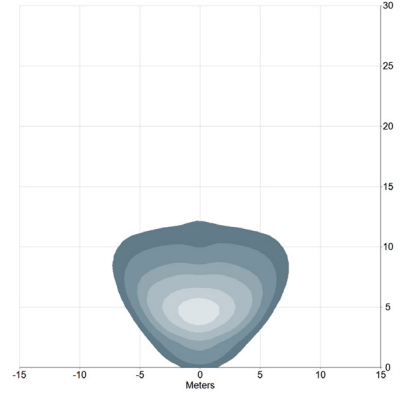
Example for 0909 / 1.850 effective lumen.



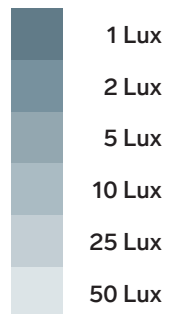
0909 / 1.850 eLm
Medium, 31 - 45°
3.0 m / -15°
Symmetric



0909 / 1.850 eLm
Wide, 45° +
3.0 m / -15°
Symmetric



0909 / 1.850 eLm
Medium, 31 - 45°
3.0 m / -15°
Asymmetric



LED work lights are exposed to dirt, fertilizers, road salt, acids and more. For best performance and long lifetime, the lens and the cooling fins must be cleaned on a regular basis.