



# 1010 BLUEPOINT



Note: the lens of the BluePoint is clear, the blue light is emitted from LEDs

1010 BluePoint enables visual safety measures instead of solely depending on sirens or alarms, particularly in noisy environments where hearing may be challenging. It projects a concentrated, visible square light beam on the floor in front or behind the machine.

This warning light is also available as a standard work light, enabling you to coordinate your machine lighting for a consistent design.”

## TECHNICAL DATA

- Housing Material:** Cast Aluminium
- Mounting Options:** Hanging  
Standing
- Lens Material:** PC
- Temperature range:** -40 to +75 °C
- Connector:** Deutsch (DT04-2P) built in.  
Mating part: DT06-2S
- Weight:** 616 g / 1,36 lb
- Light Patterns:** Spot

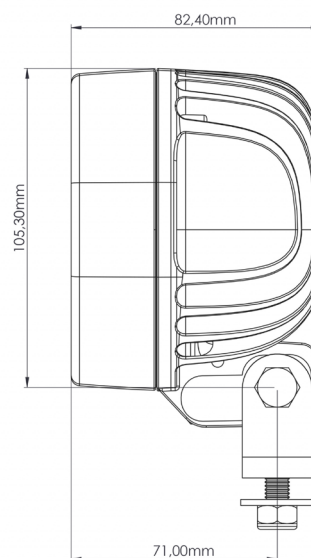
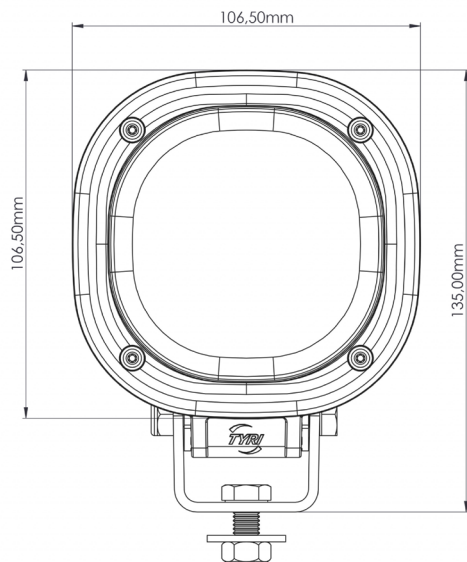
## FEATURES

- Overheating Protection
- Over-voltage Protection
- Polarity Protection
- Dampened
- UL Optional

## TEST STANDARDS

- Salt Spray ASTM B117 500 h
- Vibration 5-2000 Hz 3 Axis, 10 Grms
- Shock Tested 50 G 11 ms
- IP69K
- EN55025 / CISPR 25 Class 4, ISO 7637-2, ISO 16750-2, ISO 10605, ISO11452-2, ISO11452-4

For further information visit [www.tyrilights.com](http://www.tyrilights.com) or contact your local sales team.





# 1010 BLUEPOINT

LIGHT INTENSITY	VOLTAGE		AMP DRAW		POWER	DOMINANT WAVELENGTH	LENS PATTERN	PART NO.	EMC	ECE
	Candela	Machine	Operating	12 V	24 V	Watts	nm		EN55025 / CISPR25	ECE Rating
20,000 cd	12-48 V	9-60 V	1,4 A	0,7 A	15 W	475 nm	Spot	CLD-429-1	4	-

IEC/SS-EN 62471 | RISK GROUP 2

CAUTION: Possibly hazardous optical radiation emitted from this product.  
Do not stare at operating lamp. May be harmful to the eye.

It is important to remember, LED work lights are no more hazardous than other lighting technologies with the same correlated colour temperature (CCT).

TYRI complies with the IEC/SS-EN 62471 standard with the addition of the warning label on the product.

LED work lights are exposed to dirt, fertilizers, road salt, acids and more. For best performance and long lifetime, the lens and the cooling fins must be cleaned on a regular basis.