

Trumeter Remote Monitoring for Plug & Play Connectivity





Monitor Everything in One Place

Trumeter Cloud enables you to monitor the status of your systems anywhere, any time. Our easy-to-use configuration software allows you to set alarm thresholds for timely alerts before problems arise. Plus, your data is securely stored in the Cloud and can be exported at any time to inform your business decisions.

- Customizable alarm conditions and thresholds for notifications
- Unlimited email notifications, plus options to add text messages
- Exportable data stored securely in the Cloud



The Trumeter Cloud Dashboard

- Monitor multiple APMs via APM Gateway and multiple Vista Touch meters
- See real time gauge readings and data visualization
- Monitor up to 4 Advanced Panel Meters per APM Gateway
- Get alerts based on customizable alarm conditions
- Export your data in multiple formats



Connect with Vista Touch Meters

The revolutionary Vista Touch panel meters have a bright, full-color HD display that's brilliantly easy to use. The graphical display offers full configurability with multiple, vibrant pre-loaded gauge options. All with an industry standard mounting to make it easy to incorporate into your systems.



HD Color Display

Full-color graphics display with dark/light mode and pre-set gauge designs to match your application.



Easy Programming

Fully configurable from the front panel with an intuitive touchscreen interface.



IoT Ready

Out-of-the-box remote monitoring on mobile and desktop with data recording and email and SMS alerts.



Built-In Connectivity

Modbus® RTU and TCP, plus 2 relay and 1 analog outputs, and 2 digital inputs.

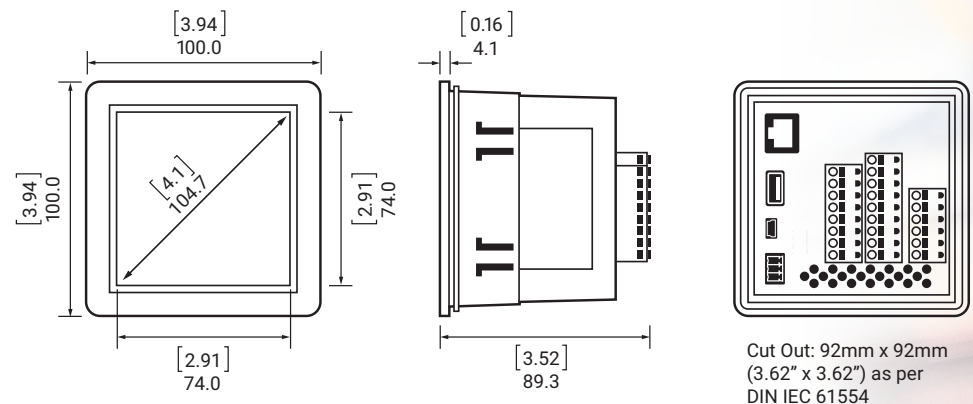


Vista Touch: Flow

The Vista Touch Flow works seamlessly with a wide range of industrial flow sensors to provide the most effective flow rate monitoring and visualization.

Vista Touch: Power

The Vista Touch Power Meter provides optimal power monitoring for single, split and 3 phase networks.



Vista Touch Meter Specifications

Model	Input Type	Operating Range	Accuracy	IoT Plug & Play	Platform	Touchscreen	Communication	Mass Storage	Relay Output	Excitation Voltage	Analog Output	Power Supply Options
Vista Touch Flow	Voltage	0 to +10V DC	0.1% of full scale	Yes	Trumeter Cloud	Yes	RS485 TCP-IP (Ethernet)	USB	2 x Form C relay 277V AC / 5A Max 30V DC / 5A Max	24V DC	4 - 20 mA	High Voltage: 100-277V AC 50/60Hz 10W Low Voltage: 12-24V AC/DC 50/60Hz 10W
	Current	-50mA to +50mA	0.1% of full scale									
	Pulse/Rate	0 to 10KHz Logic 0 = 0 to 0.6V DC Logic 1 = 2.5V to 24V DC	100 PPM									
Vista Touch Power	Voltage	L-L 0 - 600VAC L-N 10 - 300VAC	1% of full scale	Yes	Trumeter Cloud	Yes	RS485 TCP-IP (Ethernet)	USB	2 x Form C relay 277V AC / 5A Max 30V DC / 5A Max	N/A	4 - 20 mA	High Voltage: 100-277V AC 50/60Hz 10W Low Voltage: 12-24V AC/DC 50/60Hz 10W
	Current	0 - 5A Direct, 1:1 to 1000:1 with CT										
	Potential Transformer	1:1 to 1000:1										

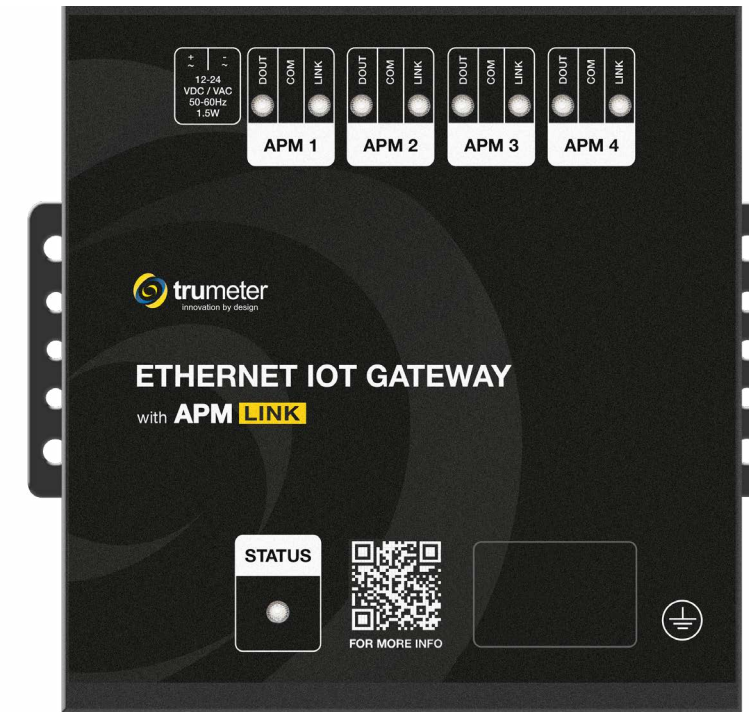
Connect any APM with the APM Gateway

The APM Gateway with Trumeter Cloud provides a remote monitoring solution for your APMs, with a powerful feature set in a cost effective package.

For use with the entire APM range, the APM Gateway instantly gives you the ability to remotely monitor readings and get real-time alerts via email and SMS.

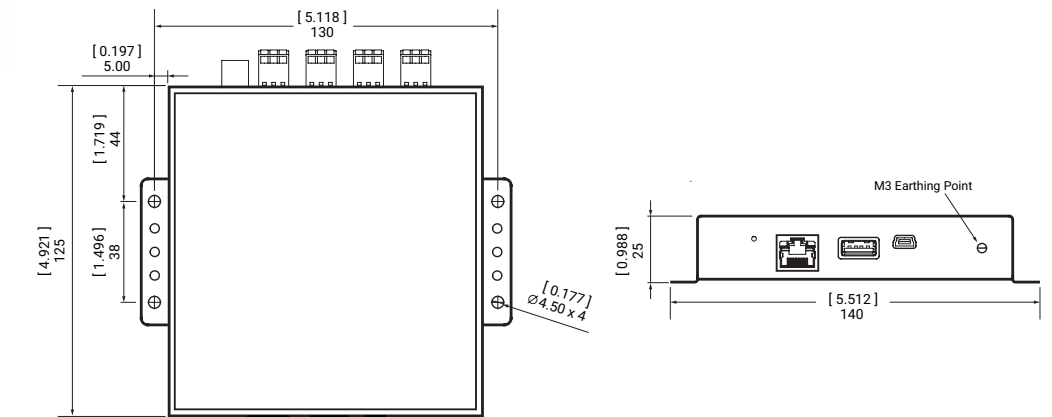


Connect up to 4 APMs to the Cloud in minutes with the APM Gateway.



APM-IOT-GATEWAY

APM Gateway with Ethernet connection and Standard Trumeter Cloud online dashboard subscription



APM Gateway Specifications

Model	Input Type	Network	IoT Plug & Play	Platform	Antenna	Total APMs to Monitor (Outputs)	Cloud Access	Power Supply Options
APM-IOT-GATEWAY	4 APM-Link Inputs	10/100 Ethernet RJ45; DHCP only	Yes	Trumeter Cloud	No	4 (digital outputs)	Free Standard Version	12-24VDC/VAC 100-240VAC, 50/60Hz

Trumeter Cloud Plans



Anyone with an Advanced Panel Meter and APM Gateway or Vista Touch gets access to Trumeter Cloud for free! But you'll likely want to upgrade to one of our other plans to take advantage of monitoring multiple devices with increased data storage and communication capabilities.

Standard	Advanced	Pro Popular	Expert
<p>Monitor a stable process with one APM</p> <p>FREE</p> <ul style="list-style-type: none"> ✓ 1 Ethernet Device* ✓ 1 User ✓ 15 Min. Data Refresh ✓ 10 Days Data Storage ✓ Unlimited Emails ✗ Texts ✗ International Texts 	<p>Add instant alerts for critical processes</p> <p>\$20/month \$220/year with annual plan</p> <ul style="list-style-type: none"> ✓ 5 Ethernet Devices* ✓ 3 Users ✓ 1 Min. Data Refresh ✓ 45 Days Data Storage ✓ Unlimited Emails ✓ 30 Texts / Month ✗ International Texts 	<p>Analyze annual data for process improvement</p> <p>\$45/month \$495/year with annual plan</p> <ul style="list-style-type: none"> ✓ 10 Ethernet Devices* ✓ 5 Users ✓ 30 Sec. Data Refresh ✓ 1 Year Data Storage ✓ Unlimited Emails ✓ 100 Texts / Month ✓ International Texts 	<p>Scale up with virtually unlimited features</p> <p>\$100/month \$1,100/year with annual plan</p> <ul style="list-style-type: none"> ✓ 100 Ethernet Devices* ✓ 100 Users ✓ 15 Sec. Data Refresh ✓ Unlimited Data Storage ✓ Unlimited Emails ✓ Unlimited Texts ✓ International Texts

* Ethernet Device includes APM Gateway or ethernet enabled APM or Vista Touch.
Additional Ethernet Devices: \$3 / month.



Trumeter (The Americas)

6601 Lyons Road
Suite H-7
Coconut Creek, FL 33073
USA
Tel: +1 954 725 6699
Email: sales.usa@trumeter.com

Trumeter (Europe)

Pilot Mill
Alfred Street
Bury
BL9 9JR
Tel: +44 161 674 0960
Email: sales.uk@trumeter.com

Innovative Design Technologies Sdn. Bhd

Lot 5881, Lorong Iks Bukit Minyak 1
Taman Perindustrian Iks, 14000 Bukit Tengah
Penang, Malaysia
Web: www.idtworld.com
Tel: + 604 5015700
Email: sales.my@idtworld.com

www.trumeter.com

